



## Ventilation Equipment 304 S/S Dishwasher Hood 1200X1200mm

ITEM # \_\_\_\_\_

MODEL # \_\_\_\_\_

NAME # \_\_\_\_\_

SIS # \_\_\_\_\_

AIA # \_\_\_\_\_



643320 (DK1212)

Stainless steel 304  
Dishwashing Hood  
1200x1200mm

### Short Form Specification

Item No. \_\_\_\_\_

Constructed in 304 AISI stainless steel. Equipped with collecting trough all around and condensate drain sleeve. The frontal extraction with vacuum immediately traps the steam. The condensation formed on the baffle surface is conveyed through the outer ducting to the discharge. Suitable for use over dishwashers and potwashers.

### Main Features

- External panels with upturned edges to avoid injuries.
- Low noise level.

### Construction

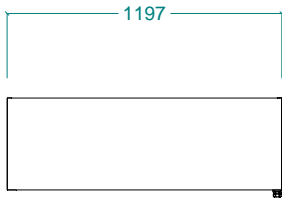
- Eyebolts and screw anchors for ceiling installation.
- Outlet holes are sized in order to minimize drops in pressure.
- Internal baffle to facilitate steam condensation and collection.
- Large perimetral gutter to collect steam condensation.
- Entirely constructed in 304 AISI stainless steel.

### Optional Accessories

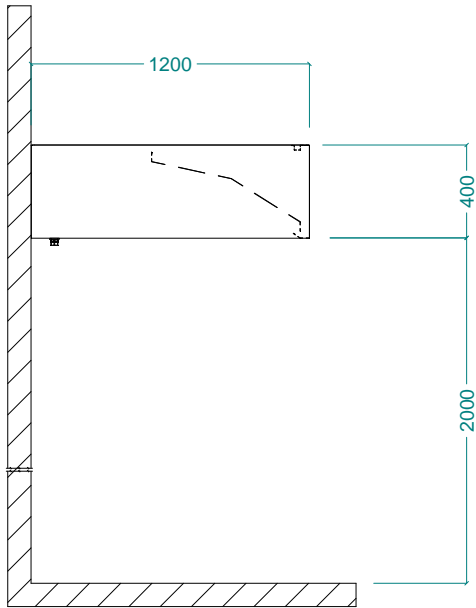
APPROVAL: \_\_\_\_\_



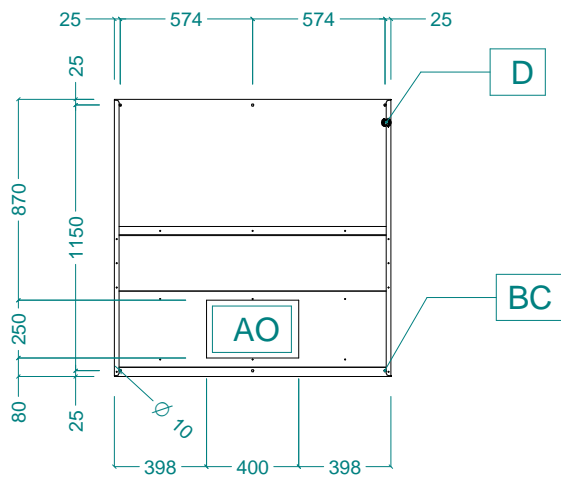
Front



Side



Top


**Key Information:**

|                              |         |
|------------------------------|---------|
| External dimensions, Width:  | 1200 mm |
| External dimensions, Depth:  | 1200 mm |
| External dimensions, Height: | 400 mm  |
| Net weight:                  | 38 kg   |

**Air Emission:**

|                 |           |
|-----------------|-----------|
| Air capacity:   |           |
| 643320 (DK1212) | 1600 mc/h |